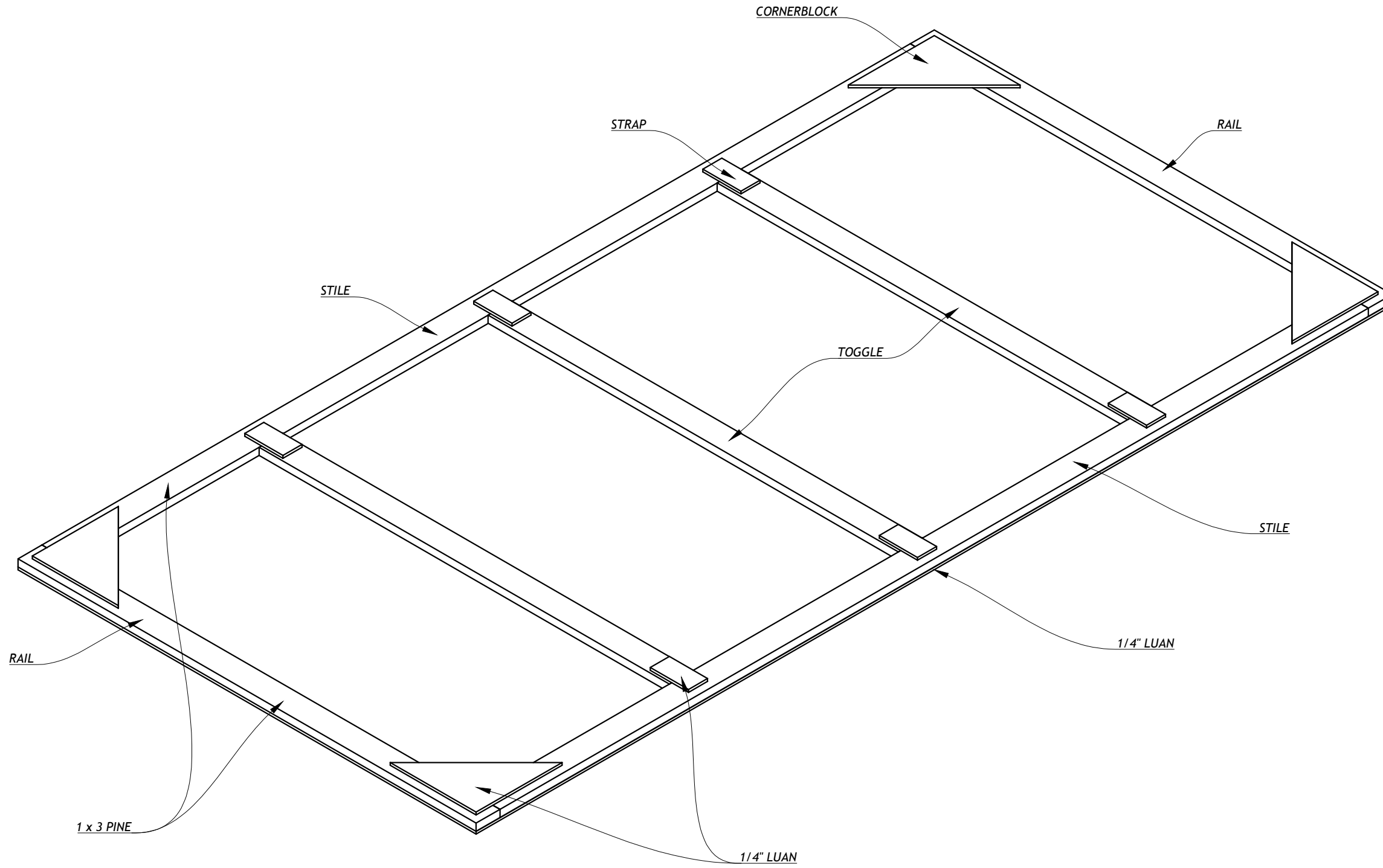


VIEW: 3D BACK



DISCLAIMER: This drawing is for information purposes only. While we endeavor to keep the information up to date and correct, we make no warranties of any kind, express or implied, about the completeness, accuracy, reliability, suitability or availability with respect to the plan. Any reliance you place on such information is therefore strictly at your own risk. In no event will ibuildtheater.com be held liable for any loss or damage including without limitation, indirect or consequential loss or damage, personal injury or death, arising from the use of this plan.

ITEM: **4' x 8' BROADWAY FLAT**

NOTES:

- FRAME = 1 x 3 PINE
- LID, STRAPS & BLOCKS = 1/4" LUAN
- USE WOOD GLUE
- ATTACH WITH 3/4" STAPLES
- OR 3/4" SCREWS (PRE-DRILL HOLES)
- KEEP SQUARE!

SCALE: NOT TO SCALE

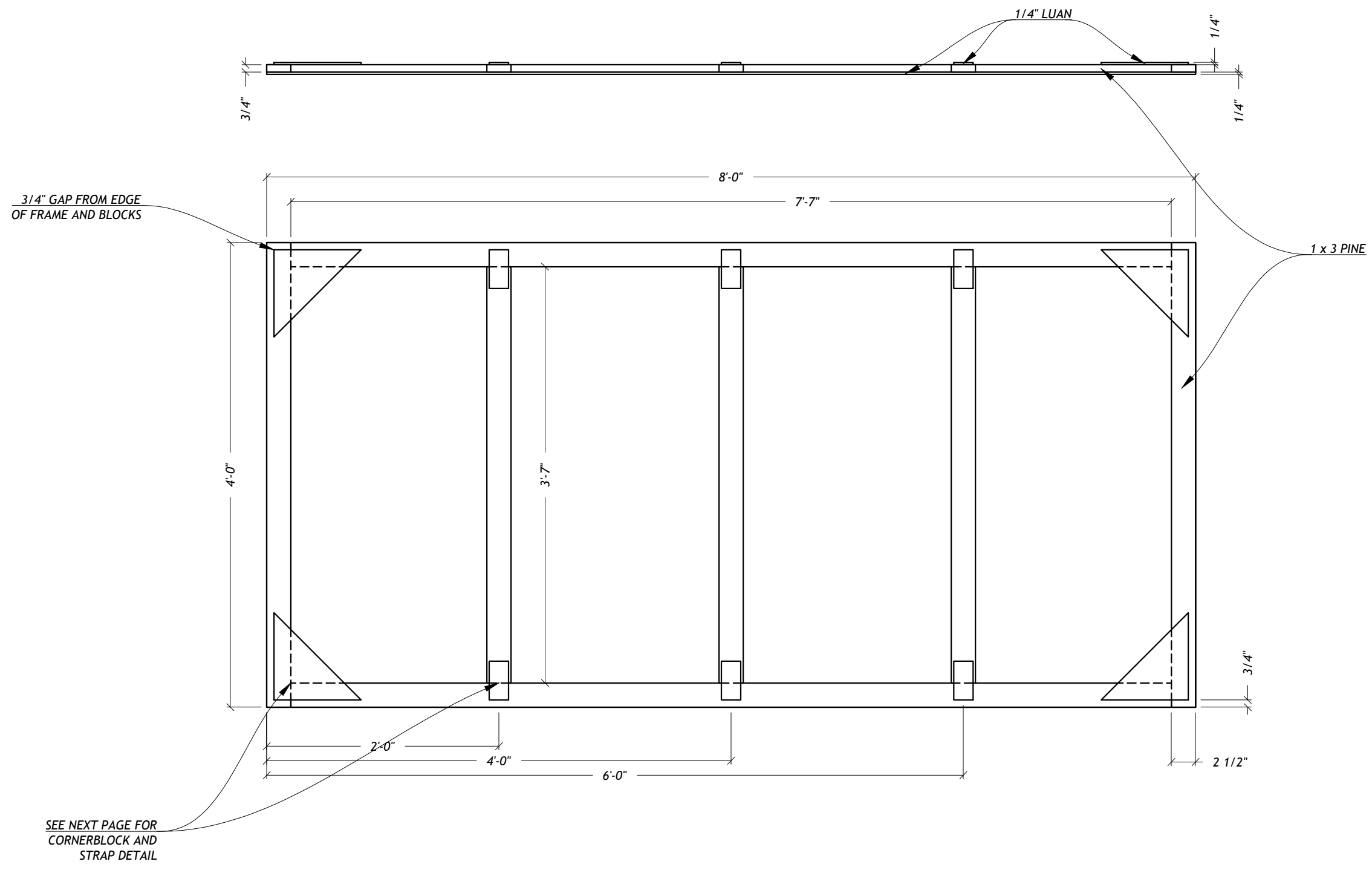
PRINT ON: 11" x 17"

PAGE: 2 OF 5

DRAFTED BY:

www.ibuildtheater.com ©

VIEW: PLAN & SIDE



SEE NEXT PAGE FOR CORNERBLOCK AND STRAP DETAIL

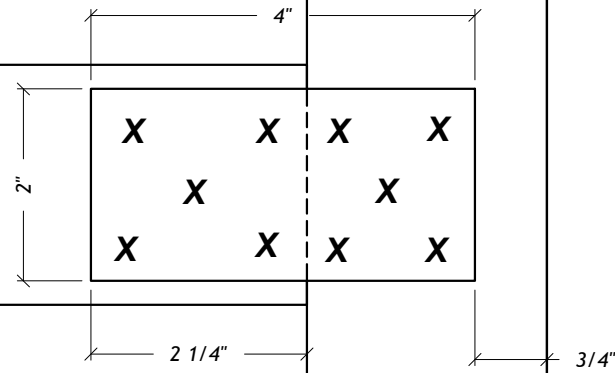
DISCLAIMER: This drawing is for information purposes only. While we endeavor to keep the information up to date and correct, we make no warranties of any kind, express or implied, about the completeness, accuracy, reliability, suitability or availability with respect to the plan. Any reliance you place on such information is therefore strictly at your own risk. In no event will ibuildtheater.com be held liable for any loss or damage including without limitation, indirect or consequential loss or damage, personal injury or death, arising from the use of this plan.

SCALE: 1" = 1'	ITEM: 4' x 8' BROADWAY FLAT
PRINT ON: 11' x 17"	
PAGE: 3 OF 5	
DRAFTED BY: www.ibuildtheater.com ©	<p>NOTES:</p> <ul style="list-style-type: none"> - FRAME = 1 x 3 PINE - LID, STRAPS & BLOCKS = 1/4" LUAN - USE WOOD GLUE - ATTACH WITH 3/4" STAPLES - OR 3/4" SCREWS (PRE-DRILL HOLES) - KEEP SQUARE!

VIEW: DETAIL

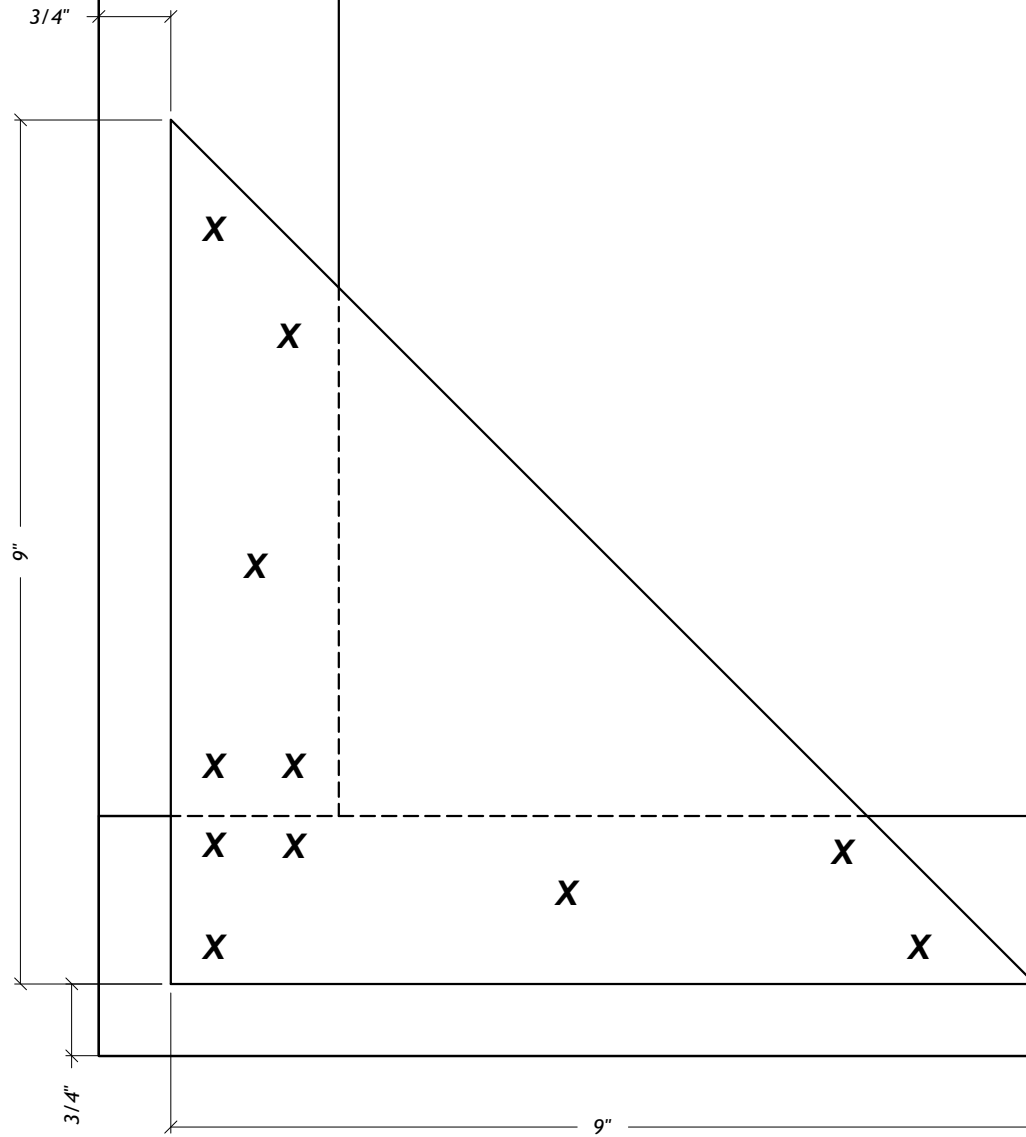
STRAP DETAIL

- USE WOOD GLUE
- 'x' MARKS STAPLE/SCREW PATTERN
- 3/4" GAP FROM EDGE



CORNERBLOCK DETAIL

- USE WOOD GLUE
- 'x' MARKS STAPLE/SCREW PATTERN
- 3/4" GAP FROM EDGE



DISCLAIMER: This drawing is for information purposes only. While we endeavor to keep the information up to date and correct, we make no warranties of any kind, express or implied, about the completeness, accuracy, reliability, suitability or availability with respect to the plan. Any reliance you place on such information is therefore strictly at your own risk. In no event will ibuildtheater.com be held liable for any loss or damage including without limitation, indirect or consequential loss or damage, personal injury or death, arising from the use of this plan.

ITEM: **4' x 8' BROADWAY FLAT**

NOTES:

- FRAME = 1 x 3 PINE
- LID, STRAPS & BLOCKS = 1/4" LUAN
- USE WOOD GLUE
- ATTACH WITH 3/4" STAPLES
- OR 3/4" SCREWS (PRE-DRILL HOLES)
- KEEP SQUARE!

SCALE: 6" = 1'

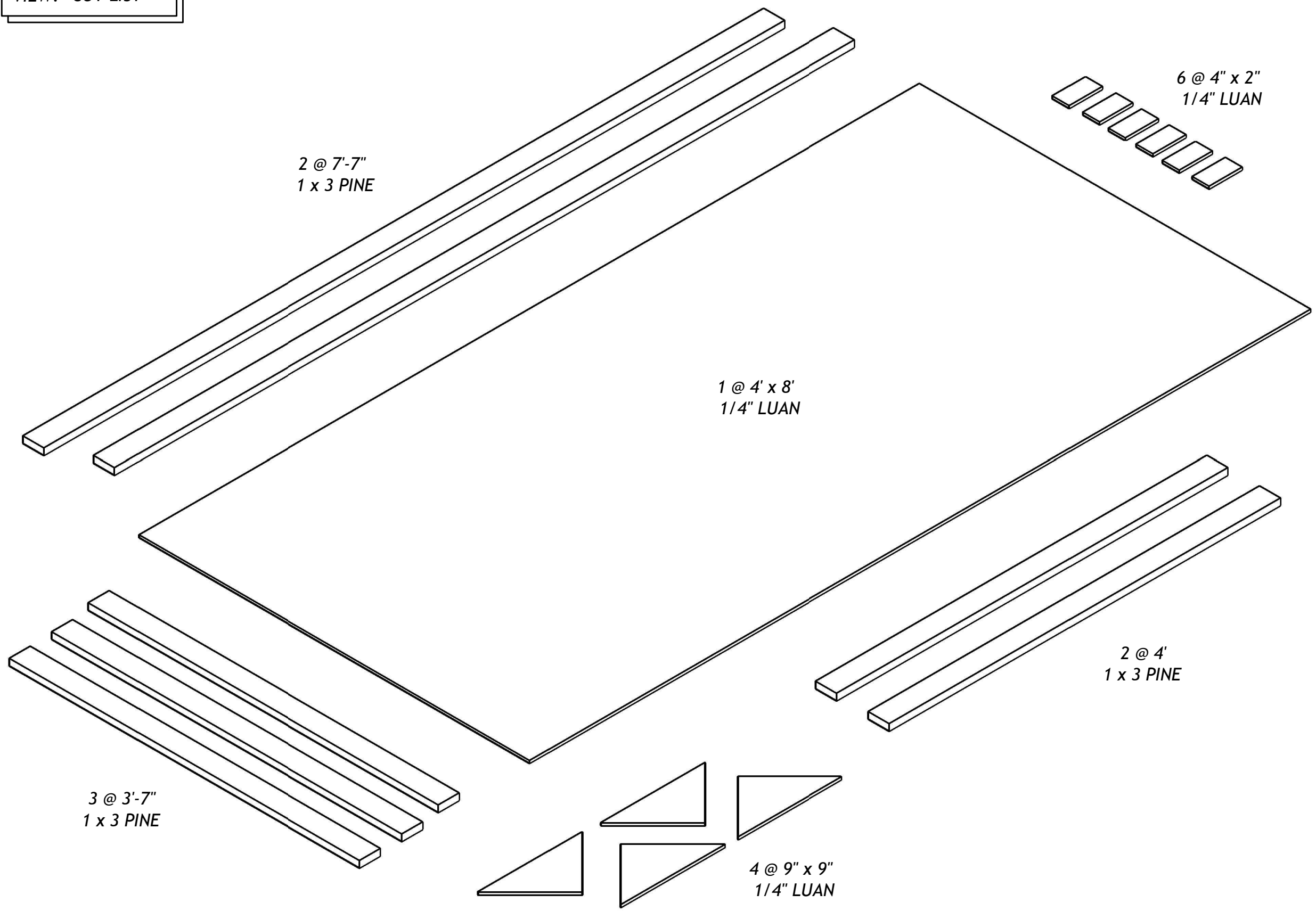
PRINT ON: 11' x 17"

PAGE: 4 OF 5

DRAFTED BY:

www.ibuildtheater.com ©

VIEW: CUT LIST



DISCLAIMER: This drawing is for information purposes only. While we endeavor to keep the information up to date and correct, we make no warranties of any kind, express or implied, about the completeness, accuracy, reliability, suitability or availability with respect to the plan. Any reliance you place on such information is therefore strictly at your own risk. In no event will ibuildtheater.com be held liable for any loss or damage including without limitation, indirect or consequential loss or damage, personal injury or death, arising from the use of this plan.

SCALE: NOT TO SCALE	ITEM: 4' x 8' BROADWAY FLAT
PRINT ON: 11' x 17'	
PAGE: 5 OF 5	<p>NOTES:</p> <ul style="list-style-type: none"> - FRAME = 1 x 3 PINE - LID, STRAPS & BLOCKS = 1/4" LUAN - USE WOOD GLUE - ATTACH WITH 3/4" STAPLES - OR 3/4" SCREWS (PRE-DRILL HOLES) - KEEP SQUARE!
DRAFTED BY: www.ibuildtheater.com ©	