

**BEFORE YOU START:**

1. **STUDY THE PLANS, FIGURE OUT HOW MUCH LUMBER WILL BE NEEDED**
2. **READ THE NOTES!**
3. **DRY MOCK UP UNIT BEFORE ASSEMBLING**
4. **MEASURE TWICE, CUT ONCE**
5. **ALWAYS CHECK FOR SQUARE WHILE ASSEMBLING**
6. **KNOW THE DIFFERENCE BETWEEN THE NOMINAL AND ACTUAL SIZE OF THE LUMBER**

**ORDER OF ASSEMBLY:**

1. **MEASURE, CUT AND LABEL ALL PIECES**
2. **START WITH ONE CORNER, APPLY GLUE TO END OF STILE, BUTT STILE UP TO RAIL**
3. **STAPLE/SCREW RAIL TO STILE**
4. **REPEAT ON ALL CORNERS, CHECKING FOR SQUARE**
5. **REPEAT PROCESS WITH TOGGLES**
6. **TURN OVER FRAME, APPLY GLUE TO ALL EDGES**
7. **PLACE LUAN SHEET ON FRAME, START ATTACHING FROM ONE CORNER, SQUARE FRAME TO LID**

**TOOLS:**

1. **PENCIL**
2. **EYE AND EAR PROTECTION**
3. **TAPE MEASURE**
4. **CARPENTER SQUARE**
5. **IMPACTER AND DRILL WITH 3/32 " BIT  
OR PNEUMATIC STAPLER**
6. **CHOP SAW**

**MATERIALS:**

1. **WOOD GLUE**
2. **FOR FRAME =  
1 1/2" SCREWS (ALWAYS PRE-DRILL)  
OR 1 1/2" PNEUMATIC STAPLES**
3. **FOR LID TO FRAME =  
3/4" SCREWS (ALWAYS PRE-DRILL)  
OR 3/4" PNEUMATIC STAPLES**
4. **1 x 3 PINE (NOMINAL SIZE)  
(NOTE: ACTUAL SIZE IS 3/4" x 2 1/2")**
5. **4' x 8' & 4' x 4' SHEET OF 1/4" LUAN**

ITEM: **4' x 12' HOLLYWOOD FLAT**

NOTES: **READ ME**

SCALE: N/A

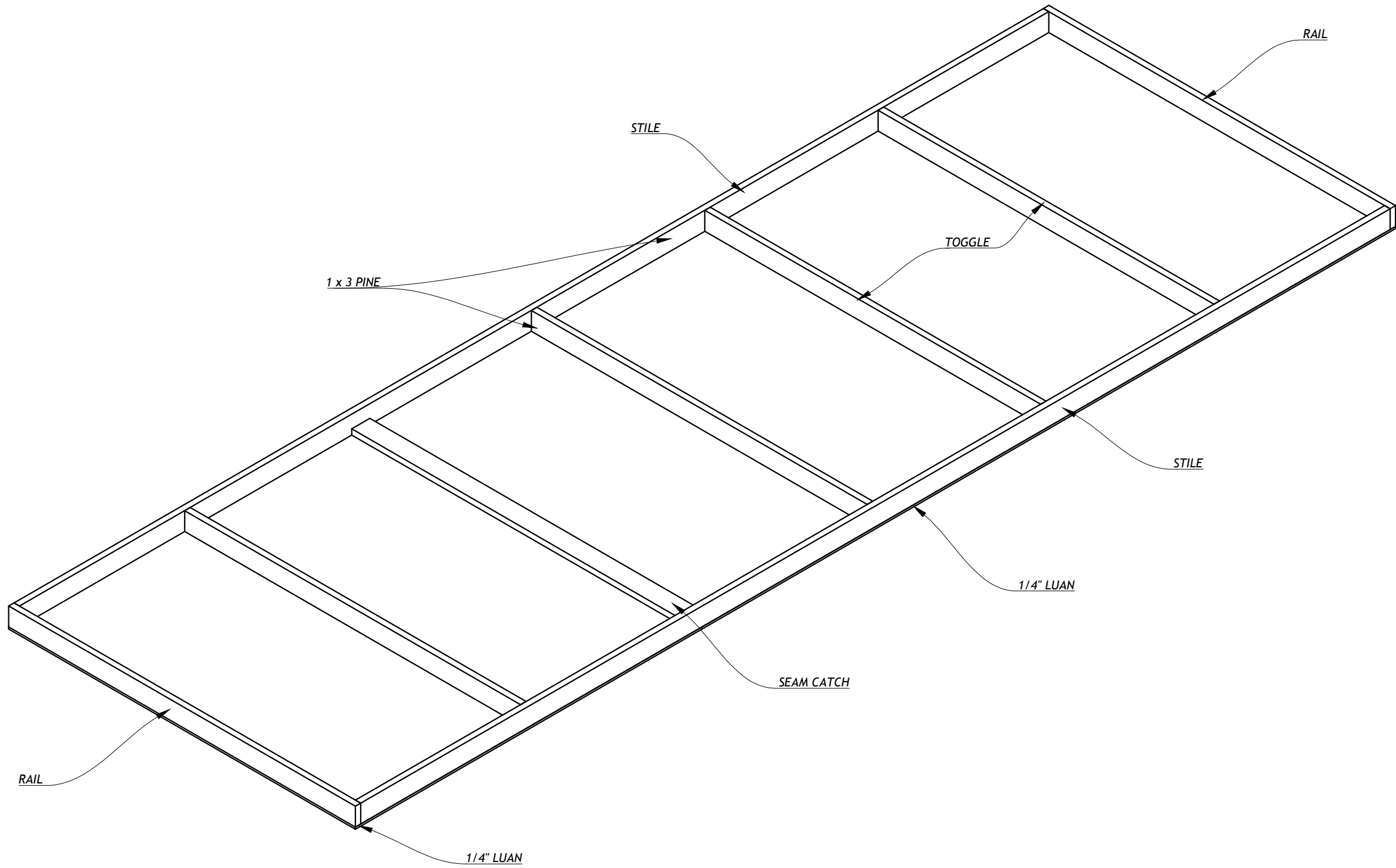
PRINT ON: 11 x 17

PAGE: 1 OF 5

DRAFTED BY:

www.ibuildtheater.com ©

VIEW: 3D BACK



DISCLAIMER: This drawing is for information purposes only. While we endeavor to keep the information up to date and correct, we make no warranties of any kind, express or implied, about the completeness, accuracy, reliability, suitability or availability with respect to the plan. Any reliance you place on such information is therefore strictly at your own risk. In no event will ibuildtheater.com be held liable for any loss or damage including without limitation, indirect or consequential loss or damage, personal injury or death, arising from the use of this plan.

ITEM: **4' x 12' HOLLYWOOD FLAT**

NOTES:

- FRAME = 1 x 3 PINE (nom.)
- SKIN = 1/4" LUAN
- USE WOOD GLUE

- FRAME = 1 1/2" min FASTENERS
- SKIN = 3/4" FASTENERS
- KEEP SQUARE!

SCALE: NOT TO SCALE

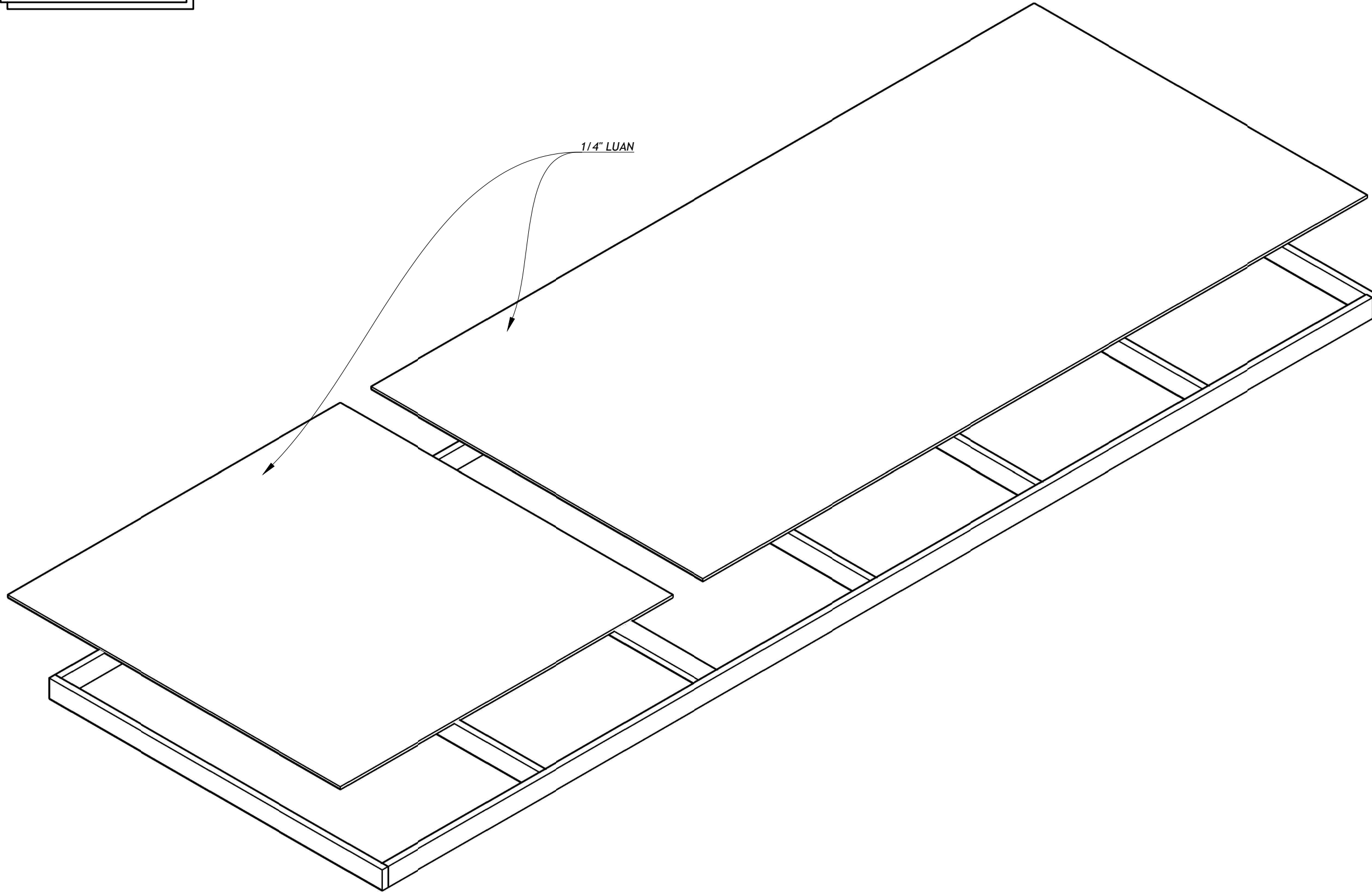
PRINT ON: 11" x 17"

PAGE: 2 OF 5

DRAFTED BY:

www.ibuildtheater.com ©

VIEW: 3D FRONT



DISCLAIMER: This drawing is for information purposes only. While we endeavor to keep the information up to date and correct, we make no warranties of any kind, express or implied, about the completeness, accuracy, reliability, suitability or availability with respect to the plan. Any reliance you place on such information is therefore strictly at your own risk. In no event will ibuildtheater.com be held liable for any loss or damage including without limitation, indirect or consequential loss or damage, personal injury or death, arising from the use of this plan.

ITEM:

**4' x 12' HOLLYWOOD FLAT**

NOTES:

- FRAME = 1 x 3 PINE (nom.)
- SKIN = 1/4" LUAN
- USE WOOD GLUE

- FRAME = 1 1/2" min FASTENERS
- SKIN = 3/4" FASTENERS
- KEEP SQUARE!

SCALE: NOT TO SCALE

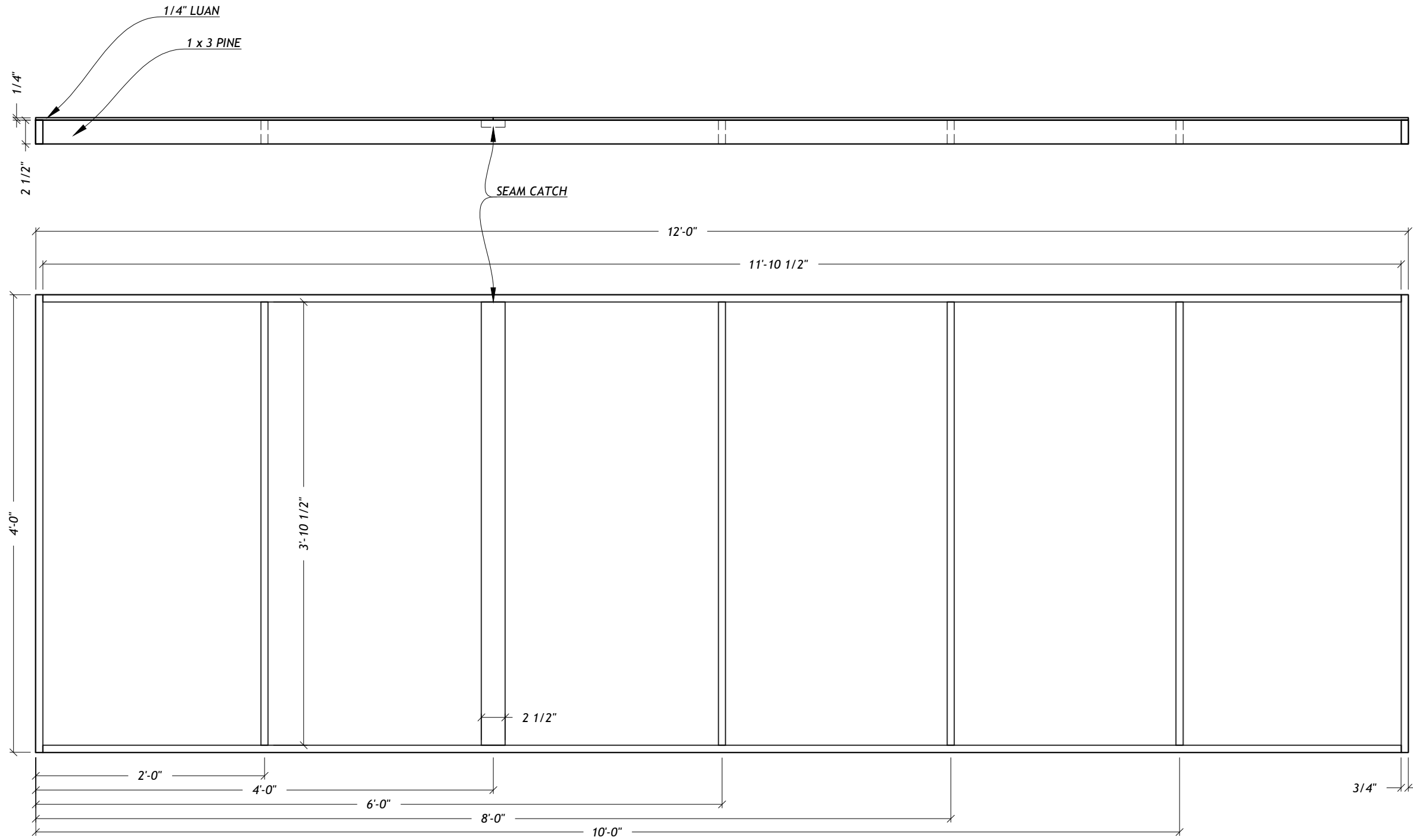
PRINT ON: 11" x 17"

PAGE: 3 OF 5

DRAFTED BY:

www.ibuildtheater.com ©

**VIEW: PLAN & SIDE**



DISCLAIMER: This drawing is for information purposes only. While we endeavor to keep the information up to date and correct, we make no warranties of any kind, express or implied, about the completeness, accuracy, reliability, suitability or availability with respect to the plan. Any reliance you place on such information is therefore strictly at your own risk. In no event will ibuildtheater.com be held liable for any loss or damage including without limitation, indirect or consequential loss or damage, personal injury or death, arising from the use of this plan.

**ITEM: 4' x 12' HOLLYWOOD FLAT**

**NOTES:**

- FRAME = 1 x 3 PINE (nom.)
- SKIN = 1/4" LUAN
- USE WOOD GLUE

- FRAME = 1 1/2" min FASTENERS
- SKIN = 3/4" FASTENERS
- KEEP SQUARE!

SCALE: 1" = 1'

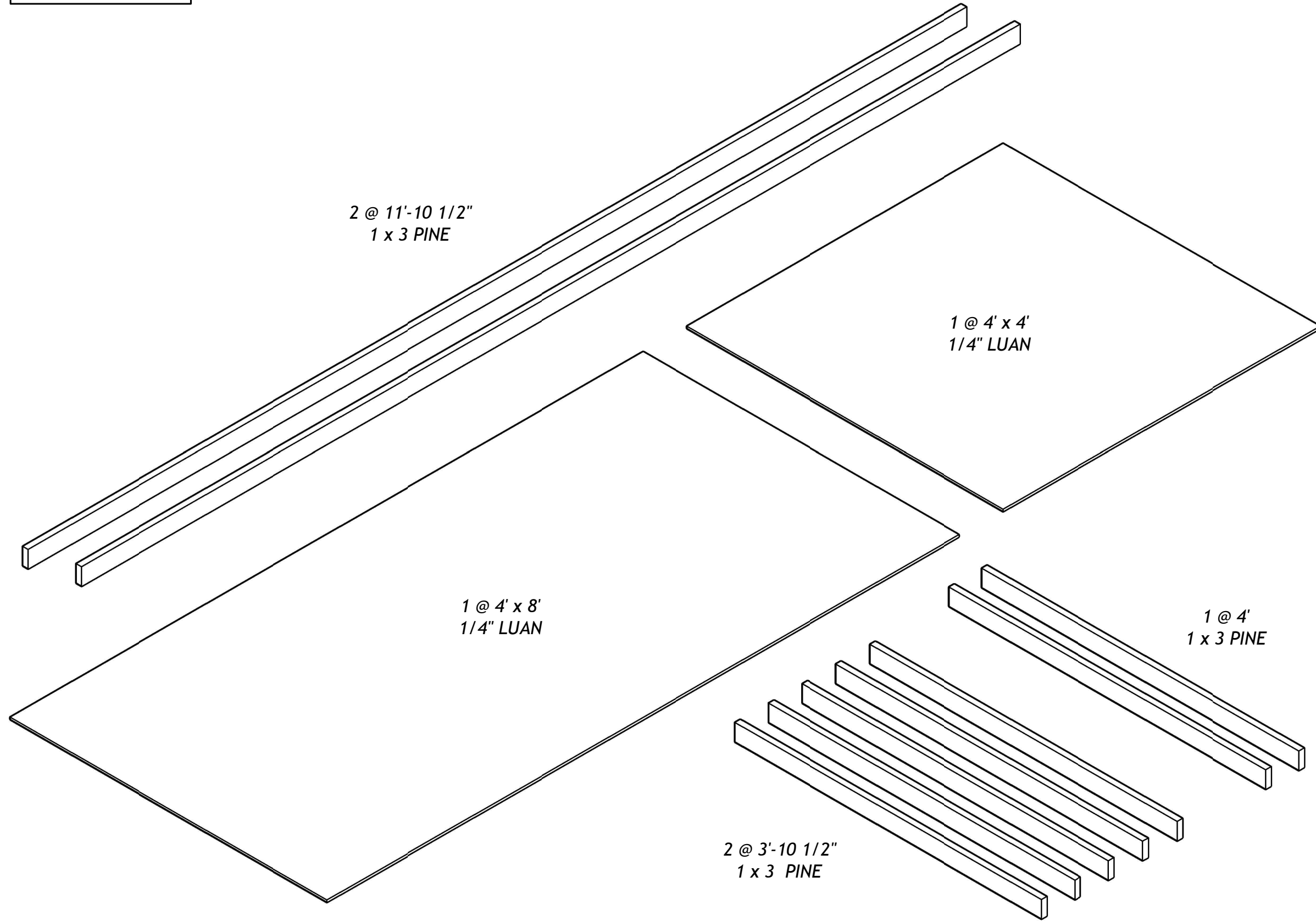
PRINT ON: 11" x 17"

PAGE: 4 OF 5

DRAFTED BY:

www.ibuildtheater.com ©

VIEW: CUT LIST



DISCLAIMER: This drawing is for information purposes only. While we endeavor to keep the information up to date and correct, we make no warranties of any kind, express or implied, about the completeness, accuracy, reliability, suitability or availability with respect to the plan. Any reliance you place on such information is therefore strictly at your own risk. In no event will ibuildtheater.com be held liable for any loss or damage including without limitation, indirect or consequential loss or damage, personal injury or death, arising from the use of this plan.

ITEM: **4' x 12' HOLLYWOOD FLAT**

NOTES:

- FRAME = 1 x 3 PINE (nom.)
- SKIN = 1/4" LUAN
- USE WOOD GLUE

- FRAME = 1 1/2" min FASTENERS
- SKIN = 3/4" FASTENERS
- KEEP SQUARE!

SCALE: NOT TO SCALE

PRINT ON: 11" x 17"

PAGE: 5 OF 5

DRAFTED BY:

www.ibuildtheater.com ©