

BEFORE YOU START:

1. **STUDY THE PLANS, FIGURE OUT HOW MUCH LUMBER WILL BE NEEDED**
2. **READ THE NOTES!**
3. **DRY MOCK UP UNIT BEFORE ASSEMBLING**
4. **MEASURE TWICE, CUT ONCE**
5. **ALWAYS CHECK FOR SQUARE WHILE ASSEMBLING**
6. **KNOW THE DIFFERENCE BETWEEN THE NOMINAL AND ACTUAL SIZE OF THE LUMBER**

TOOLS:

1. **PENCIL**
2. **EYE AND EAR PROTECTION**
3. **TAPE MEASURE**
4. **CARPENTER SQUARE**
5. **IMPACTER AND DRILL WITH 3/32 " BIT
OR PNEUMATIC NAILER**
6. **CHOP SAW**

ORDER OF ASSEMBLY:

1. **MEASURE, CUT AND LABEL ALL PIECES**
2. **START WITH ONE CORNER**
3. **APPLY GLUE, STAPLE/SCREW SIDE PIECE TO TOP**
4. **REPEAT ON ALL CORNERS, CHECKING FOR SQUARE**
5. **REPEAT PROCESS WITH TOGGLES**
6. **TURN OVER FRAME**
7. **PLACE PLY SHEET ON FRAME, START ATTACHING FROM ONE CORNER, SQUARE FRAME TO LID**

MATERIALS:

1. **WOOD GLUE**
2. **FOR FRAME =
3" SCREWS (ALWAYS PRE-DRILL)
OR 3" PNEUMATIC NAILS**
3. **FOR LID TO FRAME = 1 1/2" SCREWS**
4. **2 x 4 LUMBER (NOMINAL SIZE)
(NOTE: ACTUAL SIZE IS 1 1/2" x 3 1/2")**
5. **4' x 8' SHEET OF 3/4" PLY**

ITEM:

4' x 8' PLATFORM

NOTES:

READ ME

SCALE: N/A

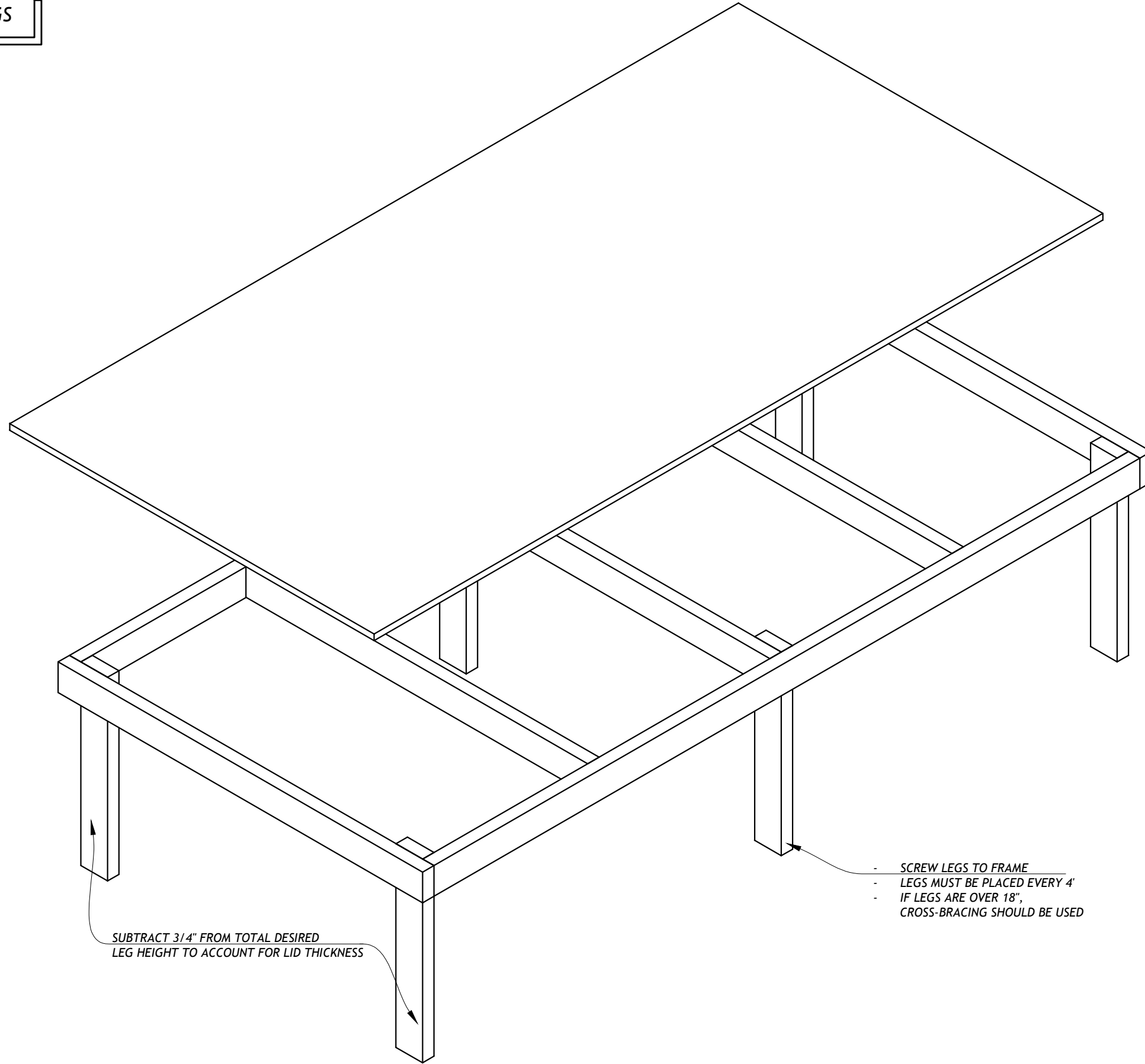
PRINT ON: 11 x 17

PAGE: 1 OF 5

DRAFTED BY:

www.ibuildtheater.com ©

VIEW: 3D W LEGS



SUBTRACT 3/4" FROM TOTAL DESIRED
LEG HEIGHT TO ACCOUNT FOR LID THICKNESS

- SCREW LEGS TO FRAME
- LEGS MUST BE PLACED EVERY 4'
- IF LEGS ARE OVER 18",
CROSS-BRACING SHOULD BE USED

ITEM:

4' x 8' PLATFORM

SCALE: NOT TO SCALE

PRINT ON: 11" x 17"

PAGE: 2 OF 5

DRAFTED BY:

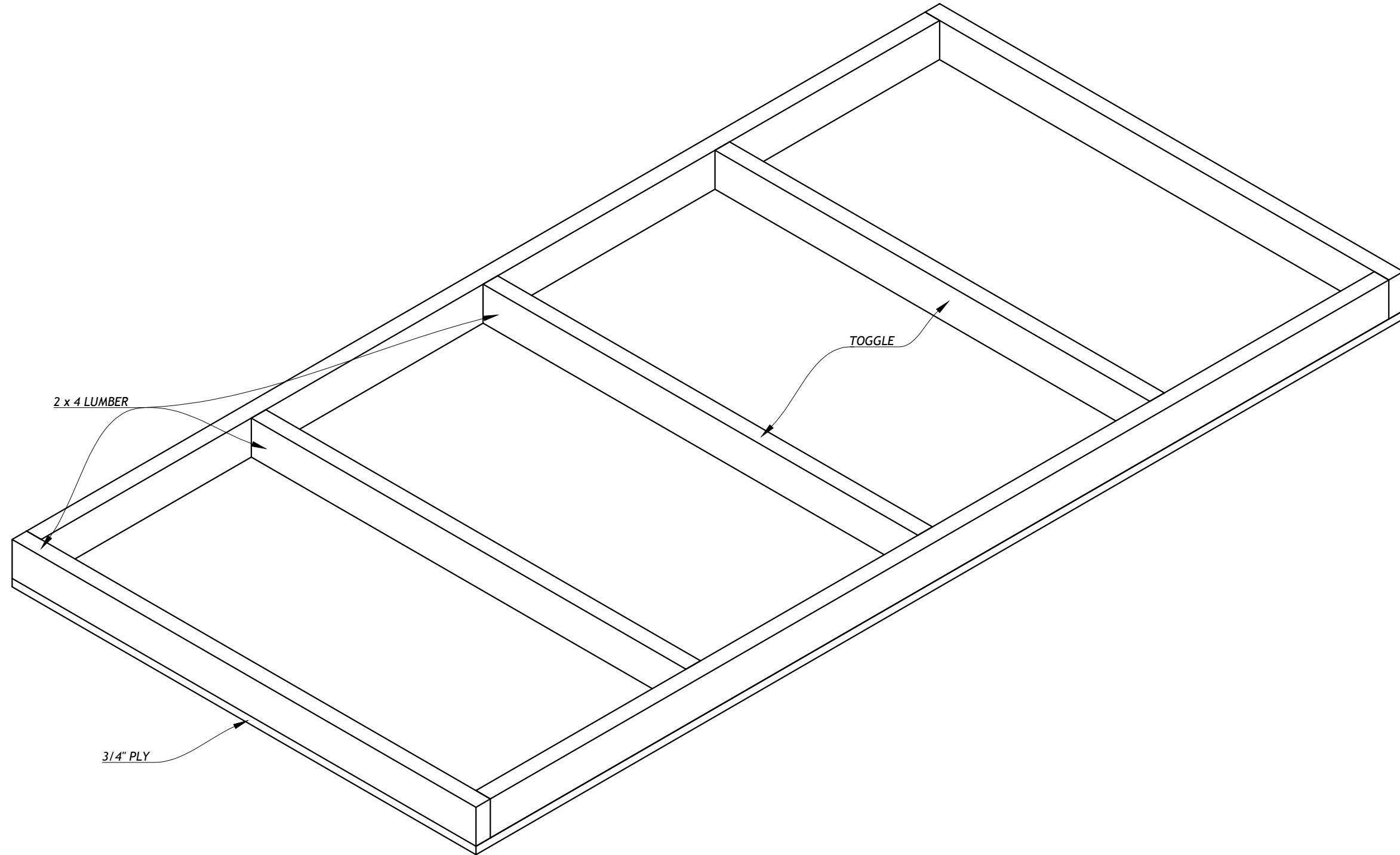
www.ibuildtheater.com ©

NOTES:

- FRAME = 2 x 4 LUMBER
- LID = 3/4" PLY
- LEGS = 2 x 4 TO SIZE NEEDED
- FRAME = 3" min FASTENERS
- LID TO FRAME = 1 1/2" min FASTENERS
- USE WOOD GLUE ON FRAME

DISCLAIMER: This drawing is for information purposes only. While we endeavor to keep the information up to date and correct, we make no warranties of any kind, express or implied, about the completeness, accuracy, reliability, suitability or availability with respect to the plan. Any reliance you place on such information is therefore strictly at your own risk. In no event will ibuildtheater.com be held liable for any loss or damage including without limitation, indirect or consequential loss or damage, personal injury or death, arising from the use of this plan.

VIEW: 3D BOTTOM



DISCLAIMER: This drawing is for information purposes only. While we endeavor to keep the information up to date and correct, we make no warranties of any kind, express or implied, about the completeness, accuracy, reliability, suitability or availability with respect to the plan. Any reliance you place on such information is therefore strictly at your own risk. In no event will ibuildtheater.com be held liable for any loss or damage including without limitation, indirect or consequential loss or damage, personal injury or death, arising from the use of this plan.

ITEM:

4' x 8' PLATFORM

SCALE: NOT TO SCALE

PRINT ON: 11" x 17"

PAGE: 3 OF 5

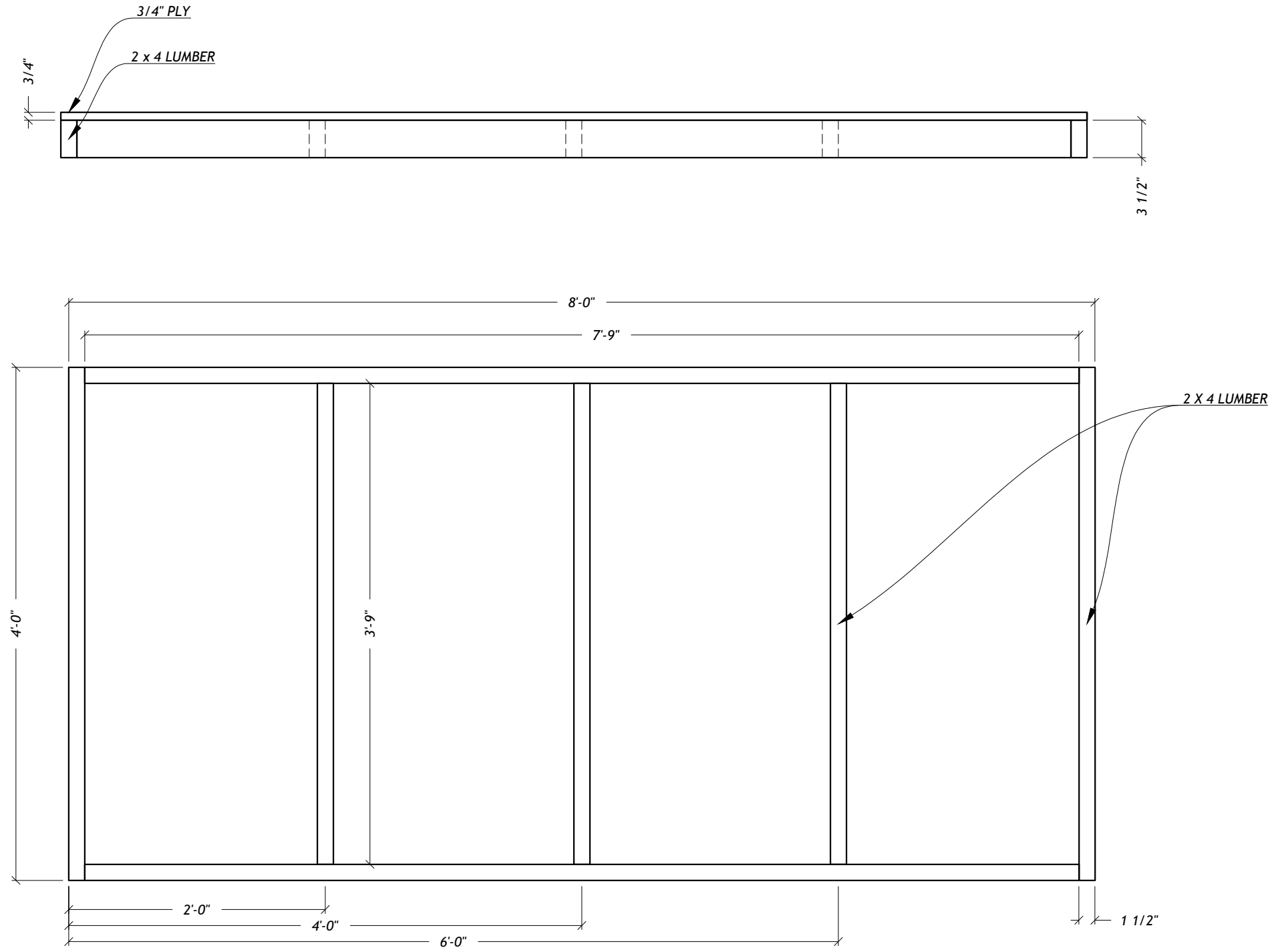
DRAFTED BY:

www.ibuildtheater.com ©

NOTES:

- FRAME = 2 x 4 LUMBER
- LID = 3/4" PLY
- LEGS = 2 x 4 TO SIZE NEEDED
- FRAME = 3" min FASTENERS
- LID TO FRAME = 1 1/2" min FASTENERS
- USE WOOD GLUE ON FRAME

VIEW: SIDE & PLAN



DISCLAIMER: This drawing is for information purposes only. While we endeavor to keep the information up to date and correct, we make no warranties of any kind, express or implied, about the completeness, accuracy, reliability, suitability or availability with respect to the plan. Any reliance you place on such information is therefore strictly at your own risk. In no event will ibuildtheater.com be held liable for any loss or damage including without limitation, indirect or consequential loss or damage, personal injury or death, arising from the use of this plan.

ITEM:

4' x 8' PLATFORM

NOTES:

- FRAME = 2 x 4 LUMBER
- LID = 3/4" PLY
- LEGS = 2 x 4 TO SIZE NEEDED
- FRAME = 3" min FASTENERS
- LID TO FRAME = 1 1/2" min FASTENERS
- IF USING SCREWS ALWAYS PRE-DRILL

SCALE: 1" = 1'

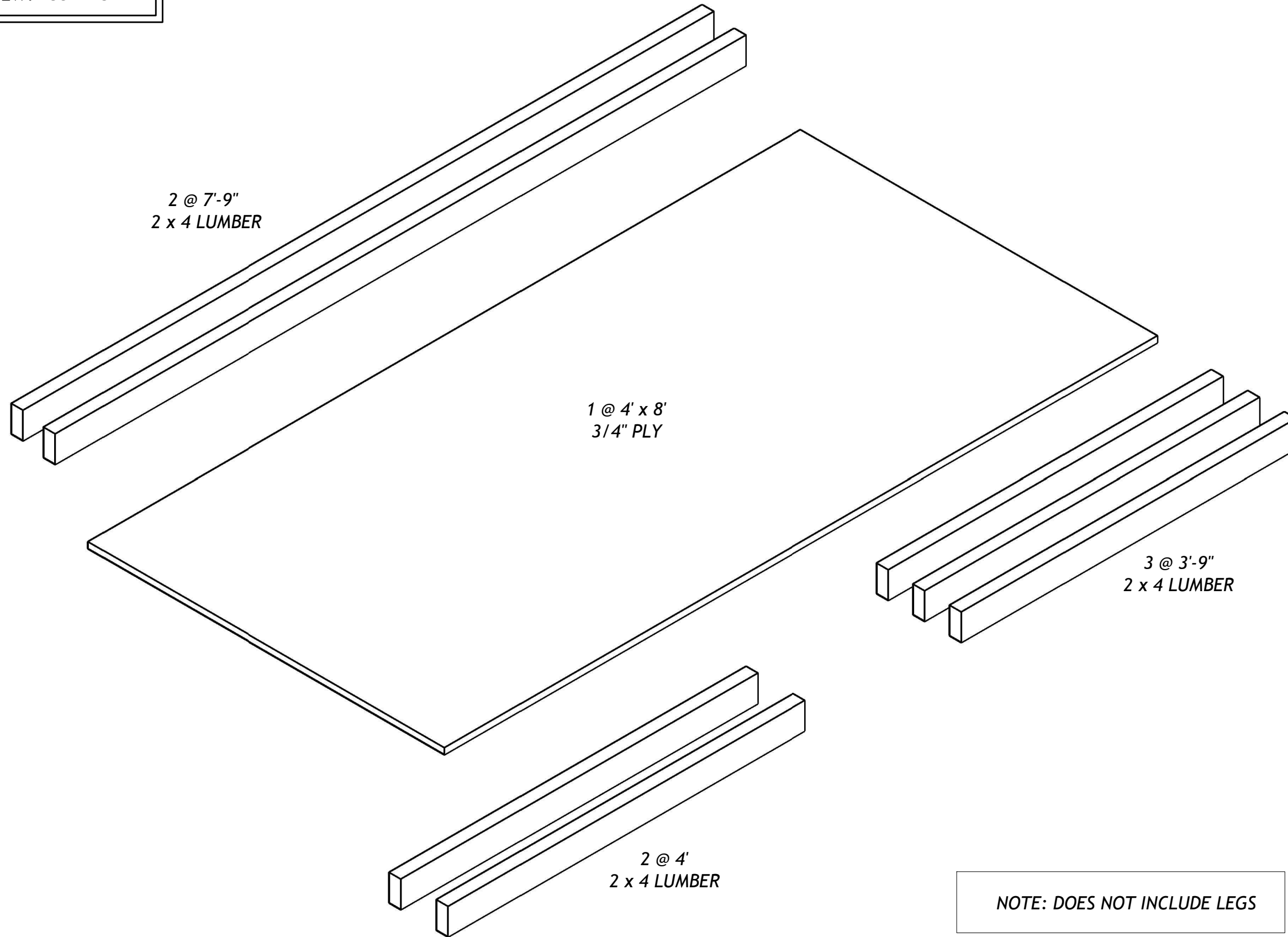
PRINT ON: 11" x 17"

PAGE: 4 OF 5

DRAFTED BY:

www.ibuildtheater.com ©

VIEW: CUT LIST



NOTE: DOES NOT INCLUDE LEGS

DISCLAIMER: This drawing is for information purposes only. While we endeavor to keep the information up to date and correct, we make no warranties of any kind, express or implied, about the completeness, accuracy, reliability, suitability or availability with respect to the plan. Any reliance you place on such information is therefore strictly at your own risk. In no event will ibuildtheater.com be held liable for any loss or damage including without limitation, indirect or consequential loss or damage, personal injury or death, arising from the use of this plan.

SCALE: NOT TO SCALE	4' x 8' PLATFORM
PRINT ON: 11" x 17"	
PAGE: 5 OF 5	
DRAFTED BY: www.ibuildtheater.com ©	
ITEM:	
NOTES:	<ul style="list-style-type: none">- FRAME = 2 x 4 LUMBER- LID = 3/4" PLY- LEGS = 2 x 4 TO SIZE NEEDED- FRAME = 3" min FASTENERS- LID TO FRAME = 1 1/2" min FASTENERS- IF USING SCREWS ALWAYS PRE-DRILL